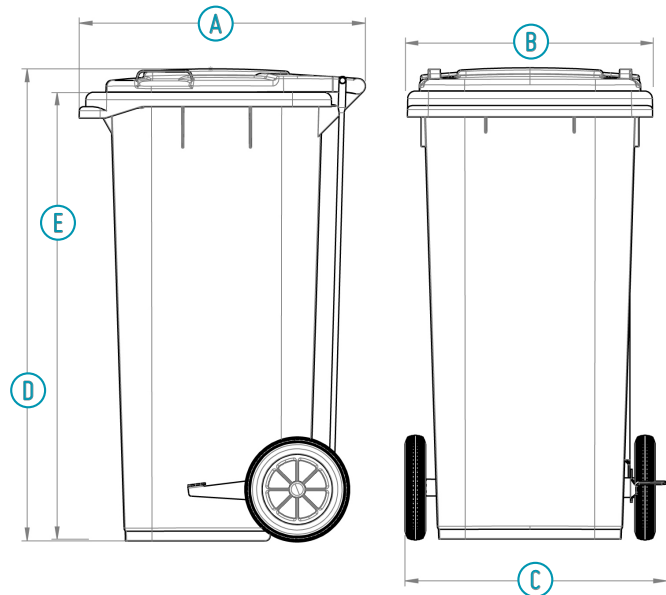


PRACTICAL CONTAINER FOR THE SELECTIVE WASTE SEPARATION



STANDARD LID COLORS



STANDARD BODY COLORS



TECHNICAL FEATURES AND DESCRIPTION

Capacity	Length	Width Lid	Width Among Axis	Total Height	Height	Weight	Maximum Load
120L	55cm (A)	47cm (B)	50cm (C)	90cm (D)	86cm (E)	6,800kg	60kg

- EN840 Approved
- Body and cover in high strength HDPE with UV protection
- Stackable
- Smooth surfaces for easy cleaning
- Integral handle with textured surface to increase the comfort and the easiness of transport

- Wheels in wood and plastic composite with robust rubber tires and galvanized steel shaft, for silent displacement
- Wheels Ø 200mm
- Completely recyclable at life end

OPTIONAL

- Stamping
- IML
- Treadle



PRODUCT REFERENCES

STANDARD LID COLORS



STANDARD BODY COLORS



Body	Lid	Product Reference without Pedal	Product Reference with Pedal
●	●	011.00601	011.00605
●	●	011.00629	011.00634
●	●	011.00630	011.00635
●	●	011.00631	011.00636
●	●	011.00632	011.00637
●	●	011.00633	011.00638
●	●	011.00618	011.00624
●	●	011.00615	011.00623
●	●	011.00617	011.00622
●	●	011.00620	011.00645
●	●	011.00619	011.00644
●	●	011.00603	011.00607
●	●	011.00625	011.00639
●	●	011.00627	011.00640
●	●	011.00616	011.00641
●	●	011.00628	011.00642
●	●	011.00602	011.00643
●	●	011.00626	011.00606